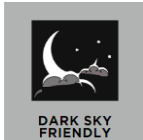
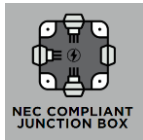


SAYBROOK ONE-LIGHT EXTRA SMALL LANTERN

GLO1001; WGL1001

General Product Information



Tools Required



Safety Information

CAUTION-RISK OF FIRE

This product must be installed in accordance with the applicable installation code by a person familiar with the construction and operation of the product and the hazards involved.

USE MINIMUM 90°C SUPPLY CONDUCTORS.

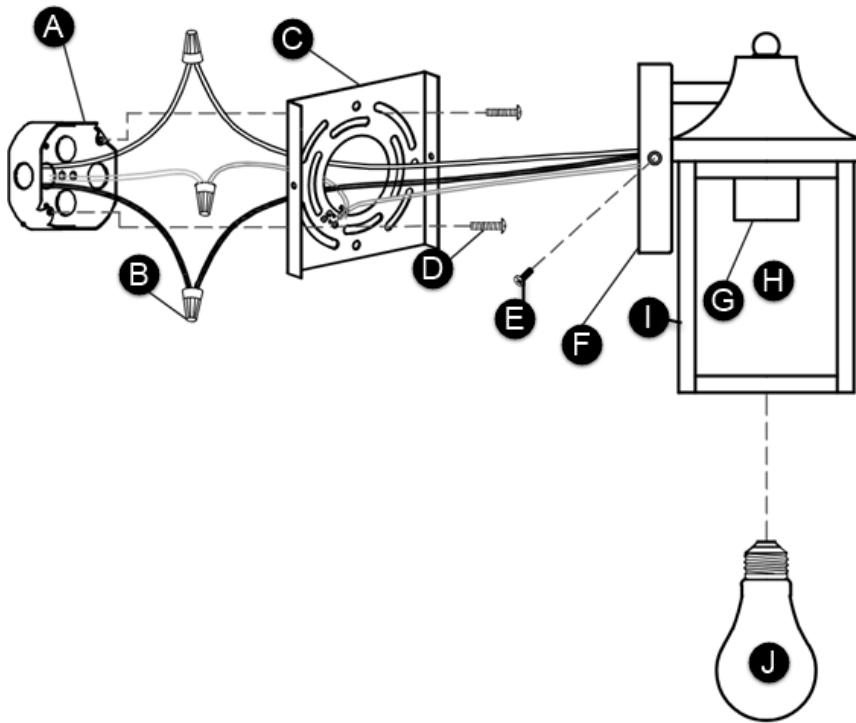


Turn off electrical current at the source before working with any lighting fixture or portable lamp.

Install and use this product in adherence with local electrical codes and regulations.



FIXTURE PARTS



- A. Junction box
- B. Wire Nut Connections
- C. Mounting Plate
- D. Mounting Screws
- E. Fixture Screws
- F. Fixture Base
- G. Socket
- H. Options (Includes Dark Sky Friendly):
Clear Glass, White Glass, or
Aluminum Panels
- I. Aluminum Frames
- J. Bulb (Not Included)

INSTRUCTIONS

I. Preparing the Fixture

1. Remove the mounting plate from the fixture body.
2. Install the mounting plate to the junction box.

II. Wiring the Fixture

1. Safety first! Locate the circuit breaker and switch it off to cut off the power supply to the relevant circuits to ensure there's no electricity running through the wiring.
2. In accordance with local electrical codes, connect the fixture ground wire (bare copper or silver wire) to suitable ground. This may be a green ground screw on the mounting plate or a house wire (green or bare copper wire without insulation).
3. Twist the bare ends of the following pairs of wires together using a wire nut to secure a connection:
 - a) Hot fixture wire (black) and hot power line wire from the junction box (hot to hot)
 - b) Neutral fixture wire (white) and neutral power line wire from the junction box (neutral to neutral)
4. Carefully tuck all the wires into the junction box.

III. Installing the Fixture

1. Affix the fixture base to the mounting plate and secure it with the provided fixture screws.
2. Carefully insert the glass or aluminum panels into the opening at the bottom of the fixture and secure them in place using the provided clips.
3. Screw the lamp into the socket. Please refer to the label on the socket for max wattage information.
4. For wet locations, caulk around the base of the fixture with a waterproof construction sealant.